



## High Effective For Lightning Protection Solar Fuse Holder

ADELS® is a leading China High Effective For Lightning Protection Solar Fuse Holder manufacturers.

- Rated current:30A (2.5-6mm<sup>2</sup>)
- Flame class :UL94-V0
- Safety class:II
- Fush specification:1-30A
- Insertion force:≤50N
- Withdrawal force:≥
- Temperature range:40°C ~85°C

ADELS® is High Effective For Lightning Protection Solar Fuse Holder manufacturers and suppliers in China who can wholesale High Effective For Lightning Protection Solar Fuse Holder.

## High Effective For Lightning Protection Solar Fuse Holder

1A 10A 12A 15A 20A 30A solar DC fuse connector fusible holder

## High Effective For Lightning Protection Solar Fuse Holder Description:

- Simple on-site processing
- Accommodates different specifications of the fuse
- High current carrying capacity
- Circuit protection
- Protection class IP67 guarantees the highest connection safety
- Patent product
- CE approved

FUSE Sepcification (1~30A)	CN40-FUSE-**
----------------------------	--------------

### Wenzhou Feimai Electric Co., Ltd.

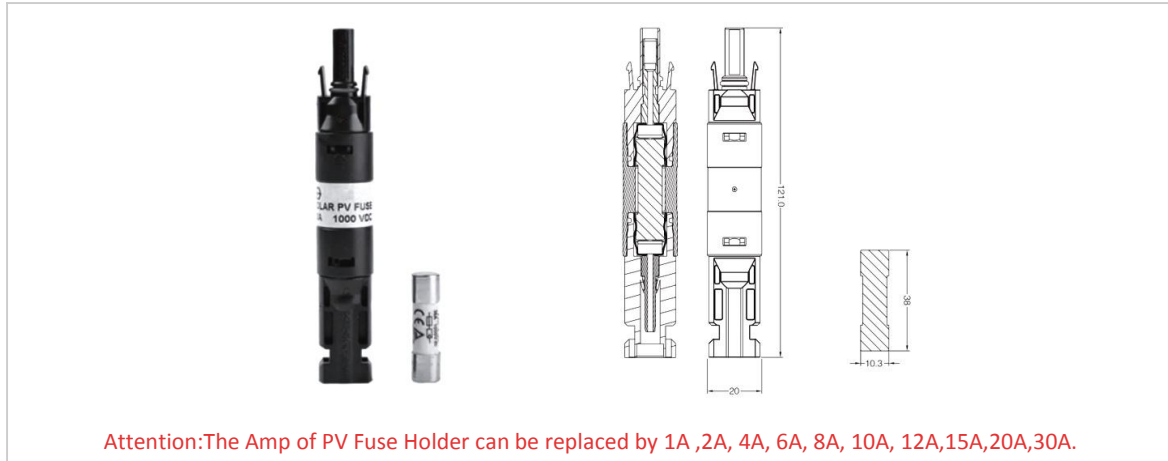
**Address:**No.75 Xinguang Avenue, Xinguang Industrial Zone, Liushi, Yueqing City, Zhejiang Province, P.R.China.

**Phone:**+86-13968753197

**Fax:**+86-577-62797770

**Tel:**+86-577-62797750

**E-mail:**sale@adels-solar.com



## High Effective For Lightning Protection Solar Fuse Holder Technical Data

Rated current	30A (2.5-6mm <sup>2</sup> )		Degree of protection	IP2X/IP68
Rated voltage	1000V DC/1500V DC		Flame class	UL94-V0
Test voltage	6000V (50Hz, 1min)		Safety class	II
Overvoltage category/ Pollution degree	CATIII/2		Fush specification	1-30A
Contact resistance of plug connecto	rs: 1mΩ		Insertion force	≤50N
Contact material	Copperjin Plated		Withdrawal force	≥
Insulation material	PPO		Temperature range	40°C ~85°C

### Wenzhou Feimai Electric Co., Ltd.

**Address:**No.75 Xinguang Avenue, Xinguang Industrial Zone, Liushi, Yueqing City, Zhejiang Province, P.R.China.

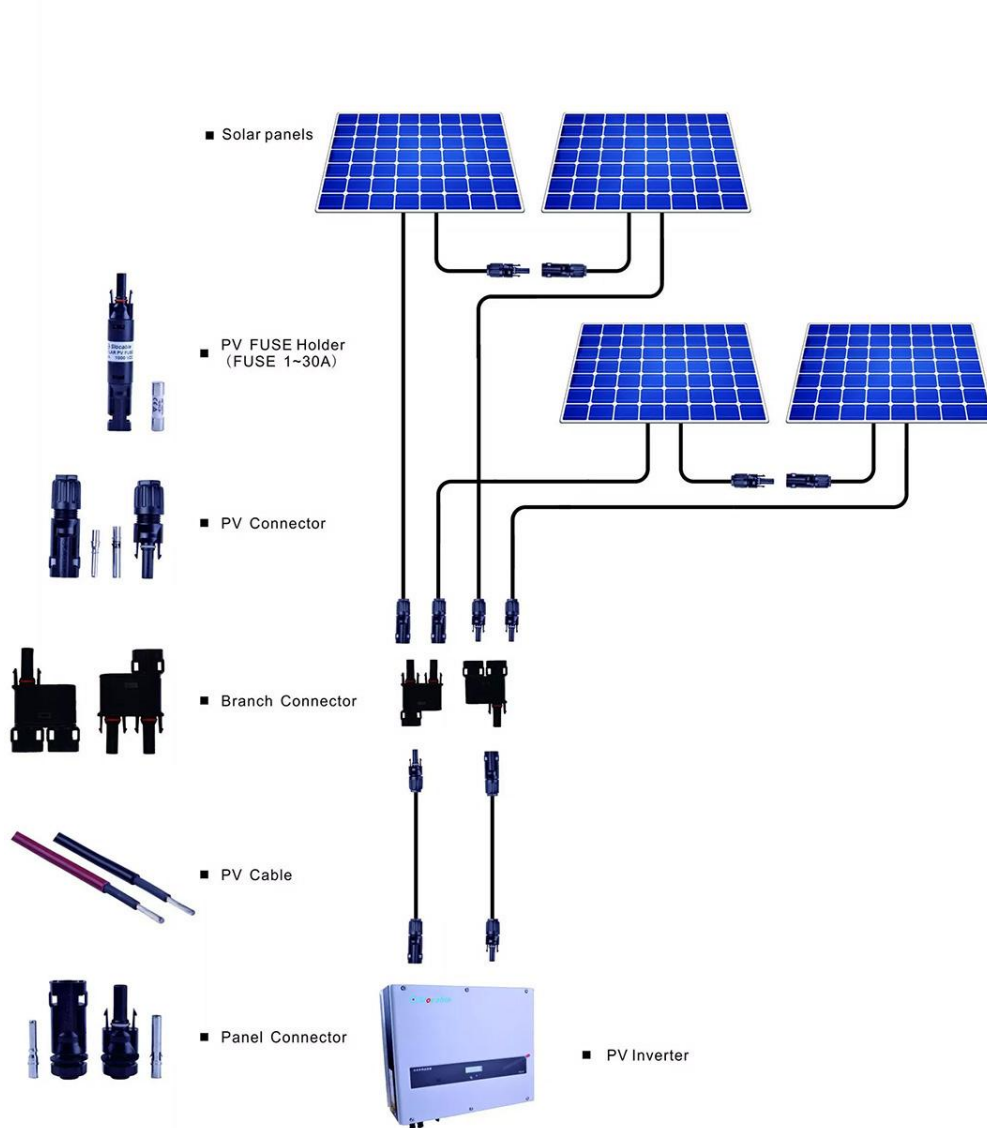
**Phone:**+86-13968753197

**Fax:**+86-577-62797770

**Tel:**+86-577-62797750

**E-mail:**sale@adels-solar.com

## Connection from the module to the inverter



**Wenzhou Feimai Electric Co., Ltd.**

**Address:**No.75 Xinguang Avenue, Xinguang Industrial Zone, Liushi, Yueqing City, Zhejiang Province, P.R.China.

**Phone:**+86-13968753197

**Fax:**+86-577-62797770

**Tel:**+86-577-62797750

**E-mail:**sale@adels-solar.com